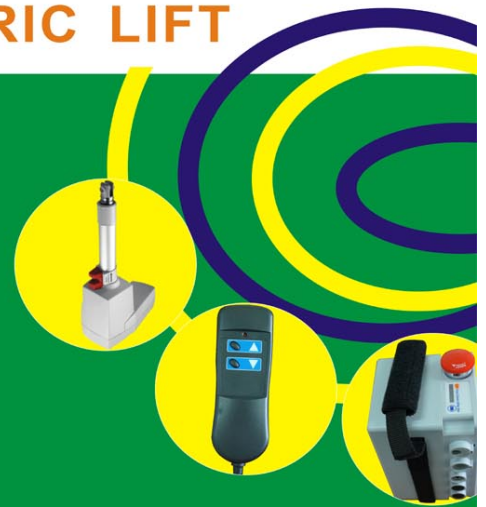


HMP-4006E

BARIATRIC LIFT

HMP-4006E

With Taiwan control system




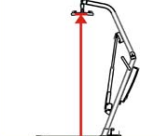
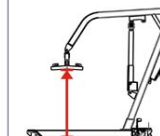
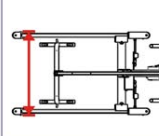
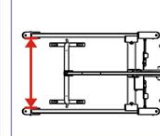
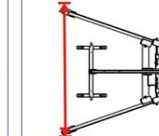
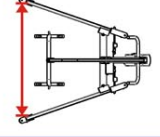



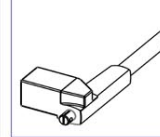
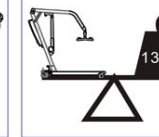
FEATURES:

- * Weight capacity: 600 lbs safe working load.
- * Heavy duty 6 point multi tilt spreader bar.
- * Foot pedal can be easily opened and closed by foot so needn't control it by busy hands.
- * Emergency stop and quick release device.
- * Optional HMP-S200 scale attachment available.
- * Demark control system available.

Made in Taiwan



SPECIFICATION:

WEIGHT CAPACITY	MAX. HEIGHT	MIN. HEIGHT	BASE CLOSED EXTERNAL WIDTH	BASE CLOSED INTERNAL WIDTH	BASE OPEN EXTERNAL WIDTH
 600 Lbs (270 KGS)	 71" (180 CM)	 22" (56 CM)	 26" (66 CM)	 21.5" (55 CM)	 43" (109 CM)
BASE OPEN INTERNAL WIDTH	BASE HEIGHT CLEARANCE	MAST HEIGHT	OVERALL LENGTH	ACTUATOR	UNIT NET WEIGHT
 38" (97 CM)	 6"/5" (15/13 CM)	 48" (122 CM)	 50" (1274 CM)	 Linak #LA34 800kgs weight capacity	 137 Lbs (62 Kgs)

